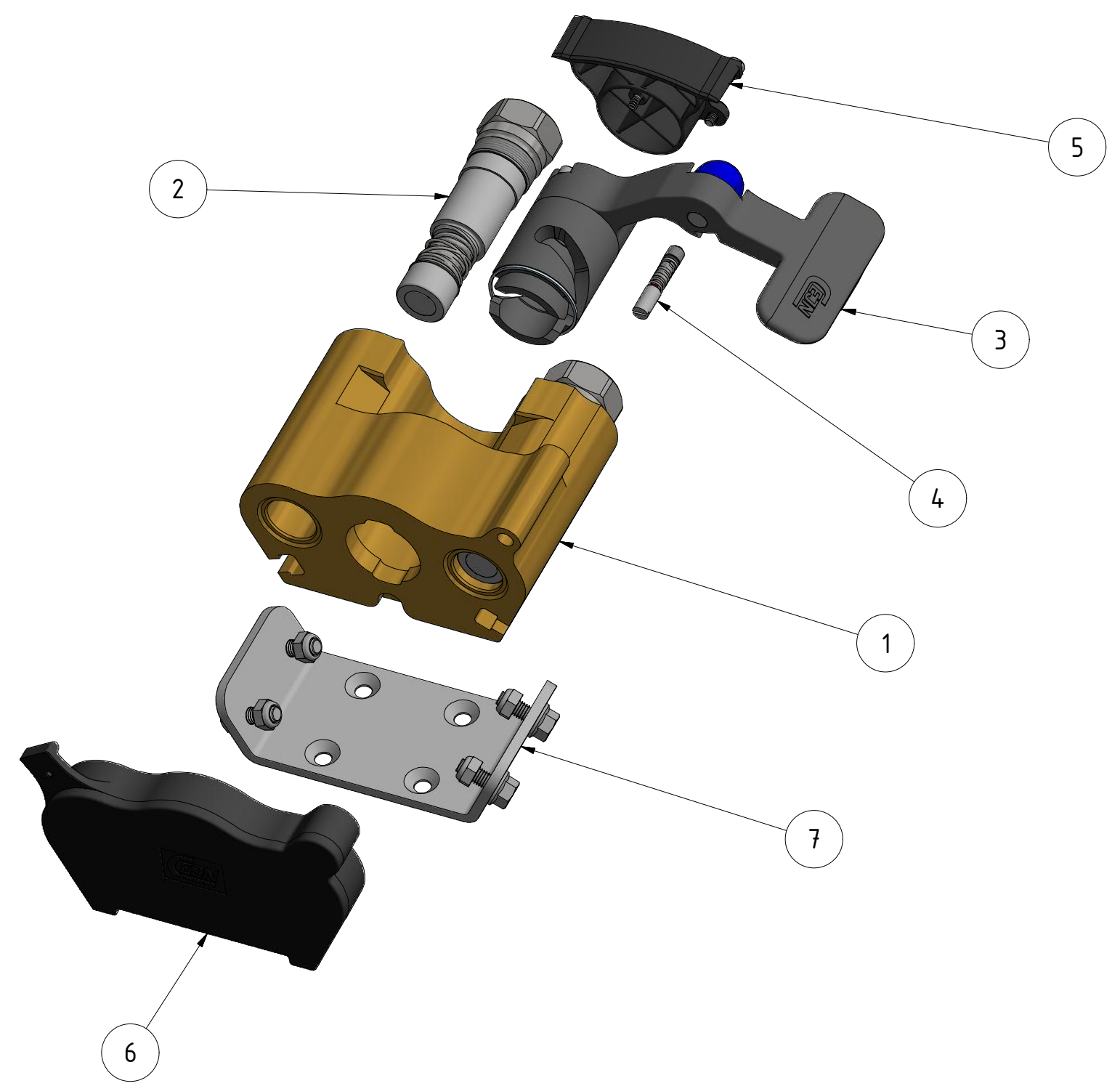
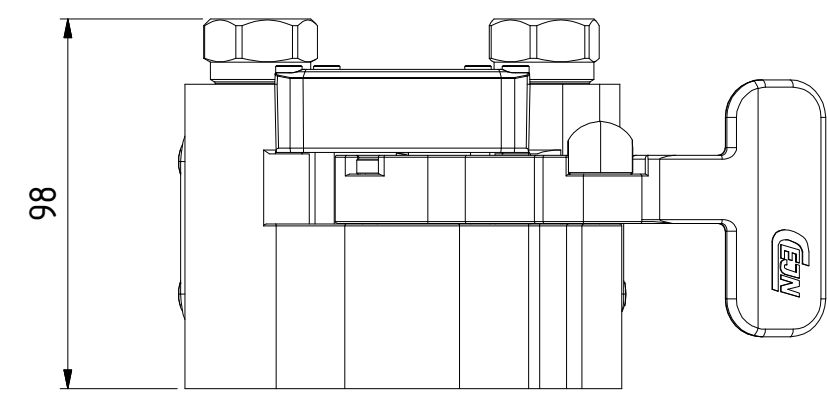
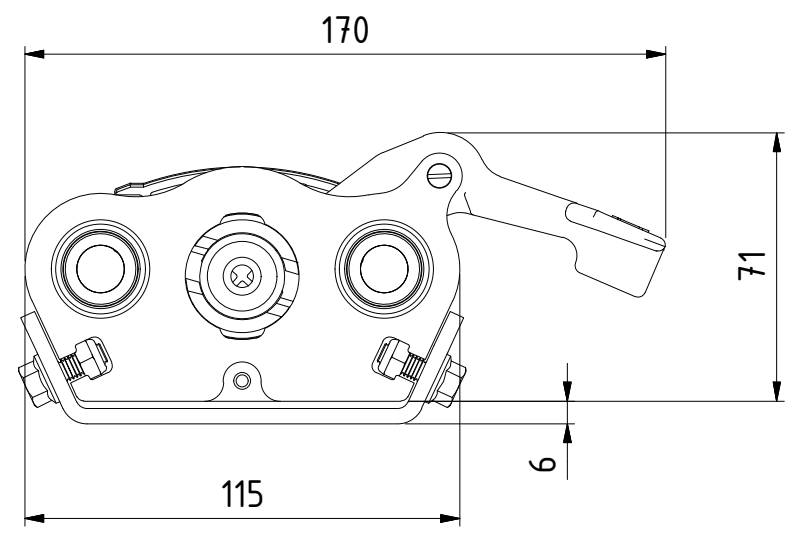


This document must not be copied, either completely or in part, without permission. Any infringement will have legal consequences ©

A3



Product No.	109322200
Nominal flow $\varnothing$ DN:	10 mm
Connection Stroke:	
Max WP Connected:	350 bar
Max WP Disconnected:	350 bar
Min BP Connected:	1200 bar
Min BP Disconnected:	1200 bar
Temperature range:	-30°C - 100°C
Connection:	G 3/8", female
Sealing material:	NBR
Hexagon:	

Item	Qty	Description	Material	Part Number
7	1	Mounting Bracket		109324963
6	1	Dust cap	PVC	099321000
5	1	Back Lid Kit		109324961
4	1	Lock in house Kit		109324992
3	1	Lever Assembly		109324960
2	2	Coupling Kit DN10, G3/8"		103651904
1	1	Coupling profile	Aluminium	099326700

Scale	1 : 2	Drawn	LES	Checked	JoEr	Appr.	PMB	ECO	11720	Date	170428		
<b>Assembly Drawing 509322200</b>										Issue	AB	Sheet	1 / (1 )